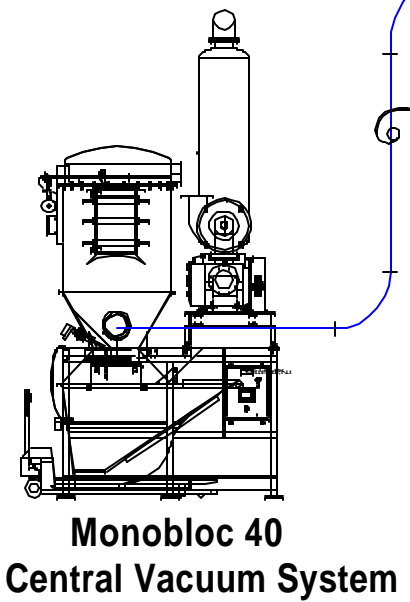
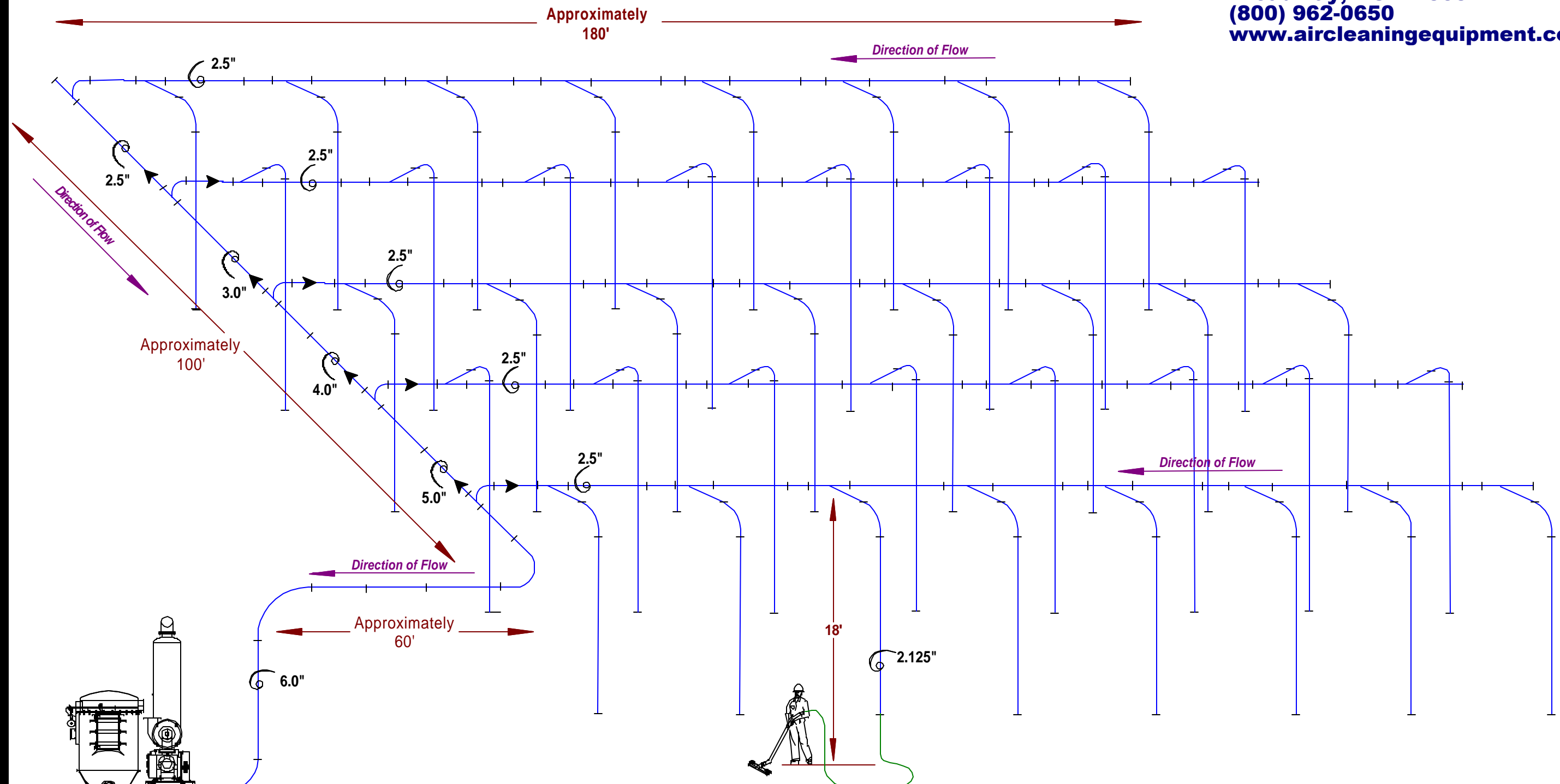


**AIR CLEANING EQUIPMENT, INC.**  
 303 North Main Street  
 Broadway, NC 27505  
 (800) 962-0650  
 www.aircleaningequipment.com



**NOT TO SCALE**

<b>VAC-U-MAX</b>	
CUST: <del>XXXXXXXXXXXXXXXXXXXX</del>	DWN BY: TJS
REP.: David Jones, Air Cleaning Equip	DATE: 12/30/09
QUOTE: <del>XXXXXXXXXXXXXXXXXXXX</del>	SCALE: None
<b>SYSTEM FLOW DIAGRAM</b>	
DRAWING # <b>SK-01</b>	REV#